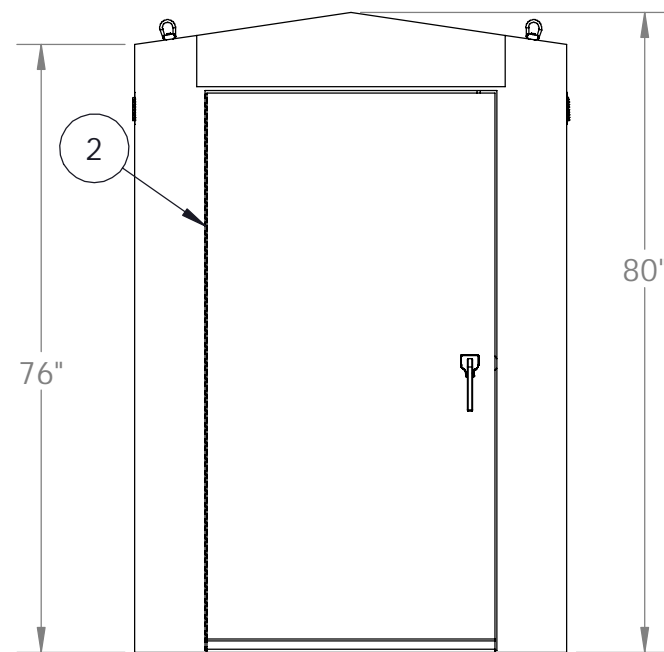


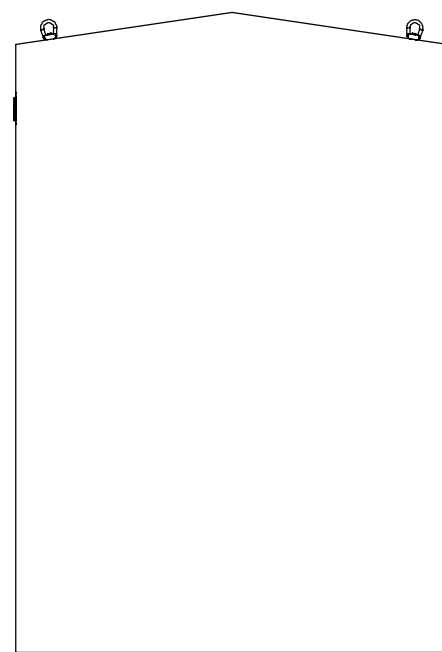
ITEM NO.	PART NUMBER	DESCRIPTION	QTY.
1	HW00200599	ALUMINUM DOOR SWEEP W/ NEOPRENE RUBBER	1
2	VP00000280	SS PIANO HINGE	1
3	ENW001	FRP WASHER - 1/2" BOLT DIA.	2
4	HBOLT 0.5000- 13x3.25x1.25-N	1/2" -13 x 3-1/4" HCS - 316SS	2
5	HW00200037	1/2"-13, 316 SS EYE NUT	2
6	HW00200352	PADLOCKABLE SS HANDLE - 316SS	1
7	VP00000103	16 x 4 ALUM LOUVER - W/ BUG SCREEN	2

**COMMON OPTIONAL FEATURES:**

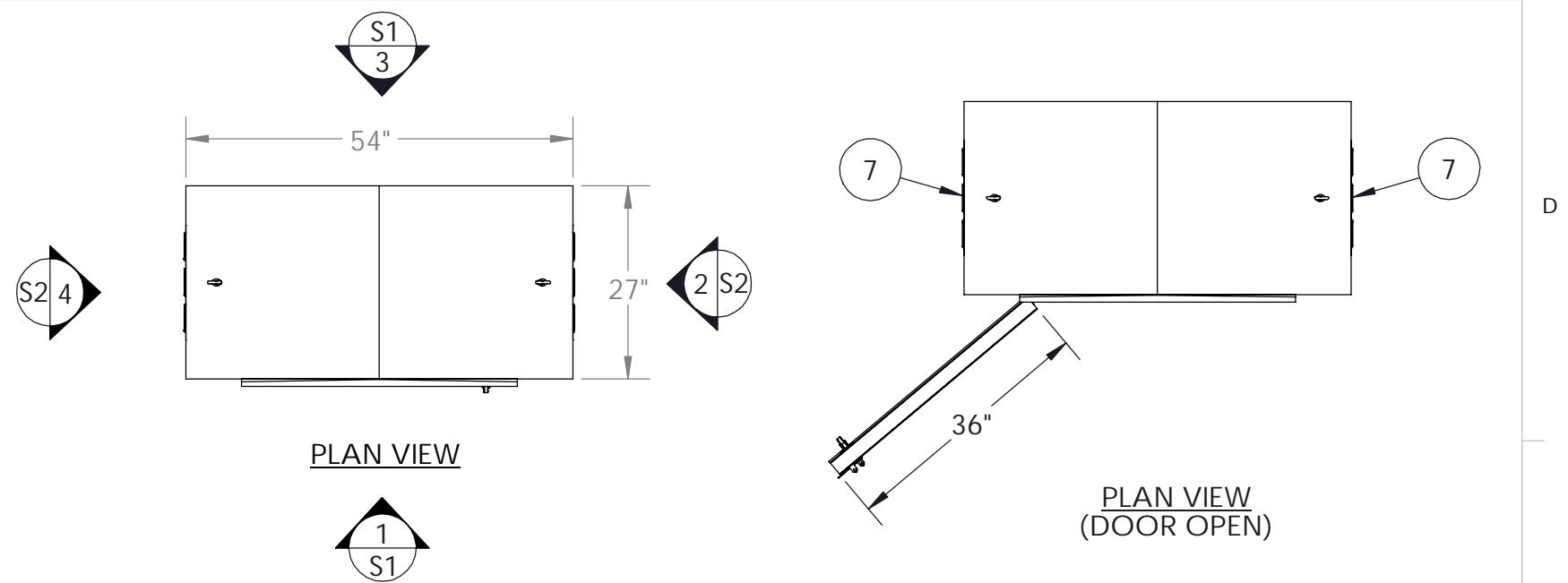
- 120V CEILING MOUNTED LIGHT WITH WALL SWITCH
- EXHAUST FAN WITH REMOTE THERMOSTAT
- 12" X 12" PLASTIC WINDOW
- 500W ELECTRIC WALL HEATER
- GFCI DUPLEX RECEPTACLE
- EXTERIOR LIGHT
- 120/240V LOAD CENTER
- EXTERNAL FIXED LOUVERS



1 FRONT ELEVATION

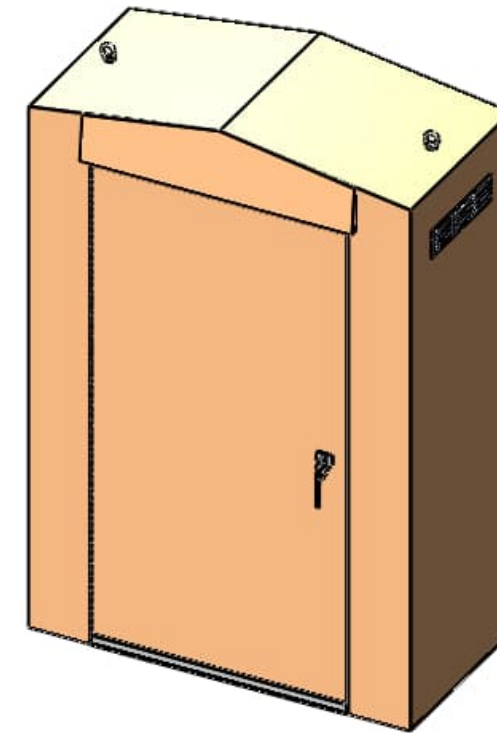


3 REAR ELEVATION




PLAN VIEW

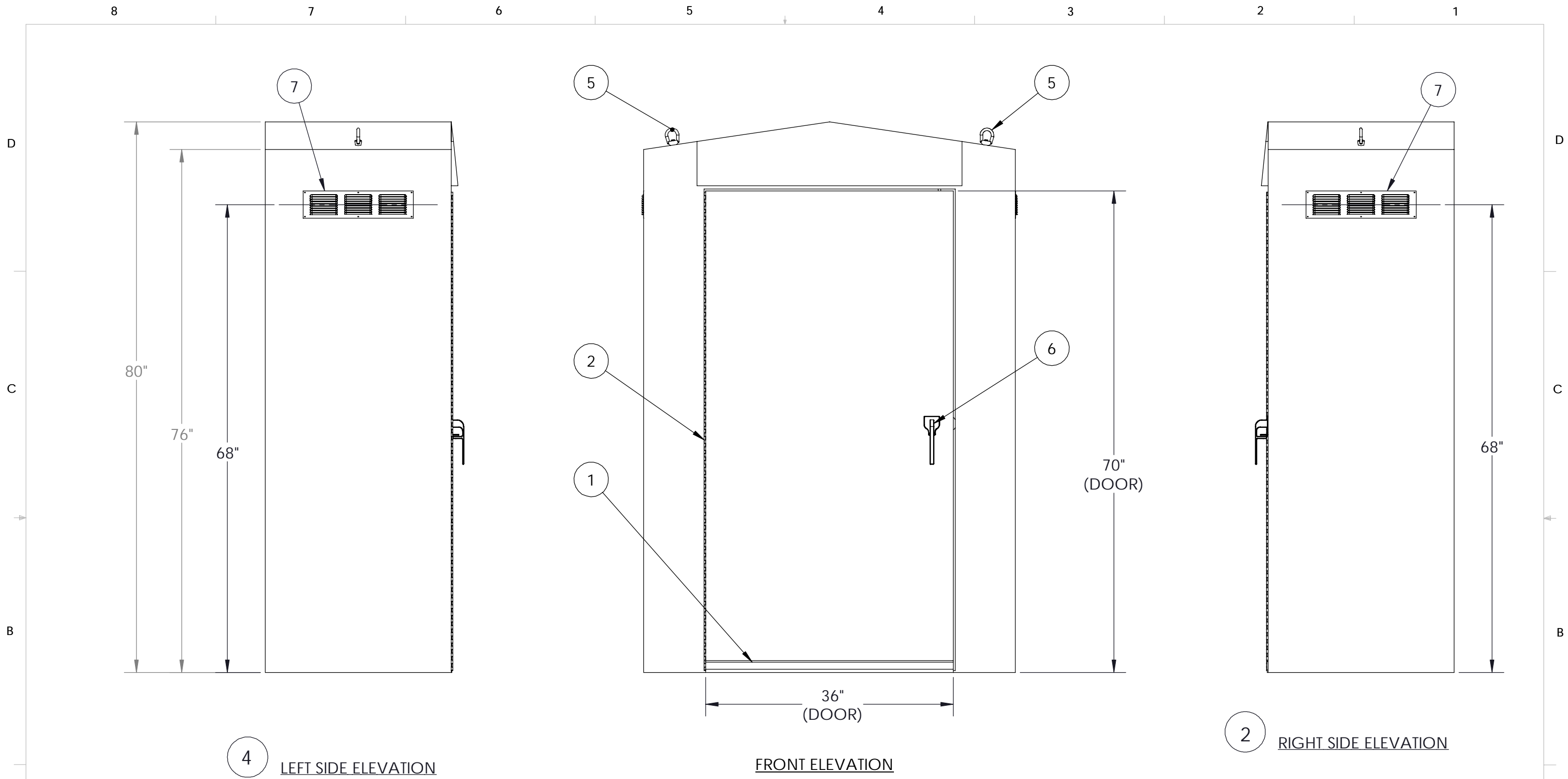
PLAN VIEW  
(DOOR OPEN)



ISOMETRIC VIEW

UNLESS OTHERWISE SPECIFIED:		NAME	DATE	 <b>VPC</b> FIBERGLASS 10478 Ridge Rd., Medina NY 14103 Toll Free: 888-290-9522 Phone: 585-735-9668	
DIMENSIONS ARE IN INCHES		DRAWN	LVR		2/11/2021
TOLERANCES:		CHECKED			
FRACTIONAL ±		ENG APPR.			
ANGULAR: MACH ± BEND ±		MFG APPR.			
TWO PLACE DECIMAL ±		Q.A.			
THREE PLACE DECIMAL ±				TITLE: 4'6" X 2'-3" X 6'-4" FRP BLDG	
INTERPRET GEOMETRIC TOLERANCING PER:				Project: VPC-B4.5X2.25X6.3	
MATERIAL POLYESTER RESIN				SIZE DWG. NO. REV B XXXXX A	
FINISH				SCALE: 1:24 Weight 197.03 SHEET 1 OF 6	
DO NOT SCALE DRAWING		3rd ANGLE PROJECTION			

PROPRIETARY AND CONFIDENTIAL  
 THE INFORMATION CONTAINED IN THIS  
 DRAWING IS THE SOLE PROPERTY OF  
 VIRTUAL POLYMER COMPOUNDS, LLC. ANY  
 REPRODUCTION IN PART OR AS A WHOLE  
 WITHOUT THE WRITTEN PERMISSION OF  
 VIRTUAL POLYMER COMPOUNDS, LLC IS  
 PROHIBITED.

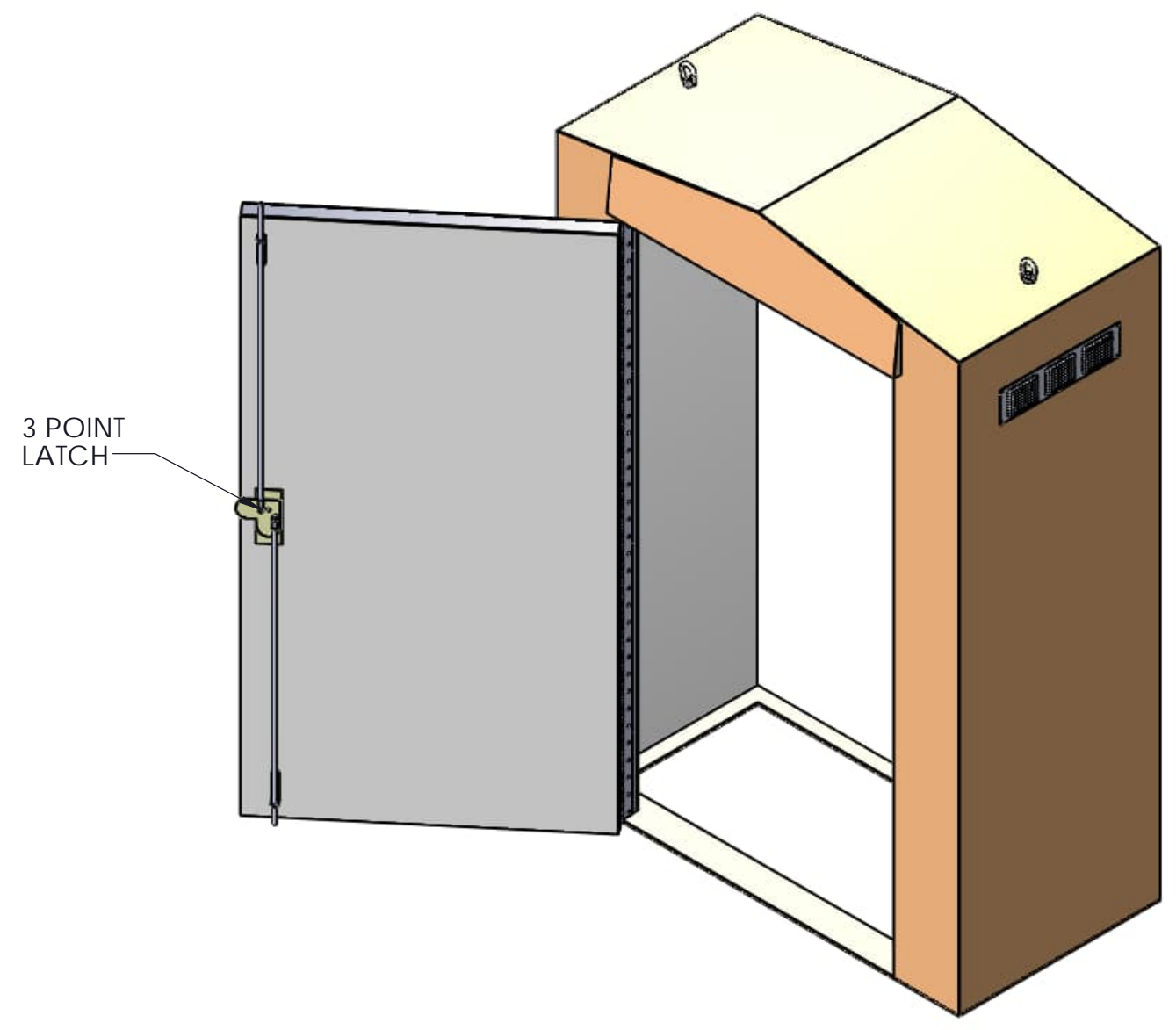


PROPRIETARY AND CONFIDENTIAL  
 THE INFORMATION CONTAINED IN THIS  
 DRAWING IS THE SOLE PROPERTY OF  
 Virtual Polymer Compounds, LLC. ANY  
 REPRODUCTION IN PART OR AS A WHOLE  
 WITHOUT THE WRITTEN PERMISSION OF  
 Virtual Polymer Compounds, LLC IS  
 PROHIBITED.

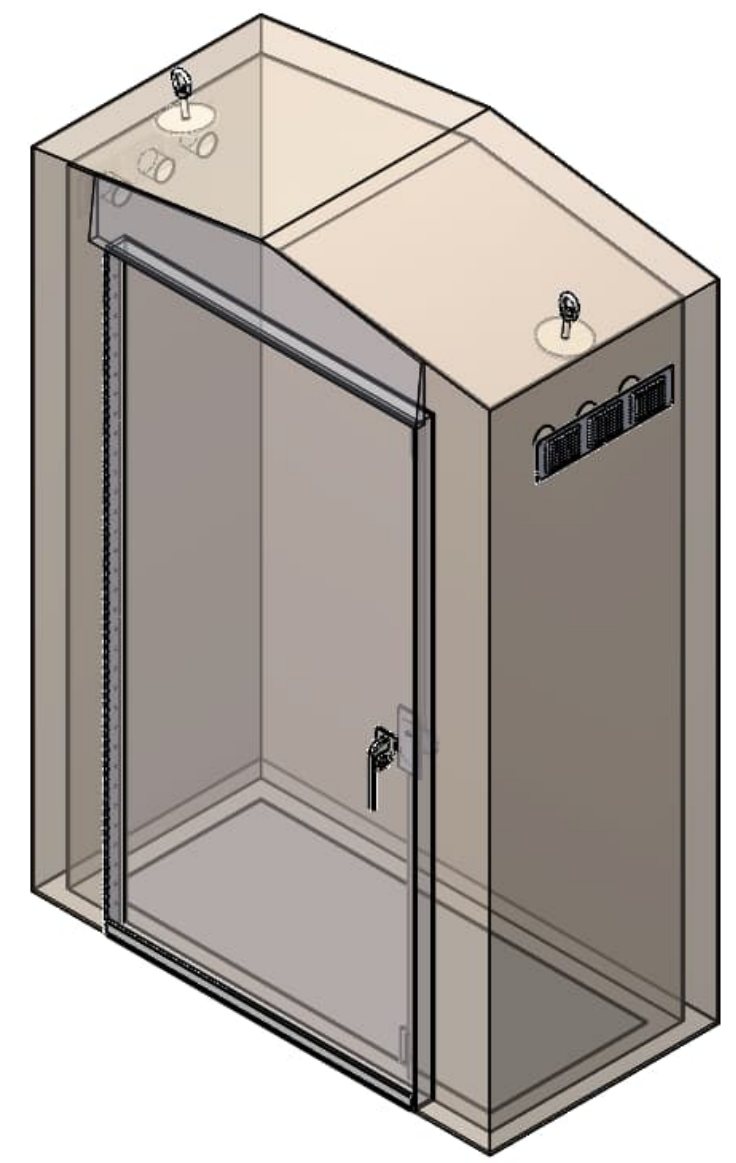
UNLESS OTHERWISE SPECIFIED:	NAME	DATE
DIMENSIONS ARE IN INCHES	DRAWN	LVR 2/11/2021
TOLERANCES:	CHECKED	
FRACTIONAL ±	ENG APPR.	
ANGULAR: MACH ± BEND ±	MFG APPR.	
TWO PLACE DECIMAL ±	Q.A.	
THREE PLACE DECIMAL ±	COMMENTS:	
INTERPRET GEOMETRIC TOLERANCING PER:		
MATERIAL	POLYESTER RESIN	
FINISH	DO NOT SCALE DRAWING	

TITLE:	4'6" X 2'-3" X 6'-4" FRP BLDG	
Project:	VPC-B4.5X2.25X6.3	
SIZE	DWG. NO.	REV
<b>B</b>	XXXXX	A
SCALE: 1:14	Weight 197.03	SHEET 2 OF 6

**VPC FIBERGLASS** 10478 Ridge Rd., Medina NY 14103  
 Toll Free: 888-290-9522 Phone: 585-735-9668



ISOMETRIC VIEW  
(DOOR OPEN)



ISOMETRIC VIEW  
SCALE: 1:16

PROPRIETARY AND CONFIDENTIAL  
THE INFORMATION CONTAINED IN THIS  
DRAWING IS THE SOLE PROPERTY OF  
Virtual Polymer Compounds, LLC. ANY  
REPRODUCTION IN PART OR AS A WHOLE  
WITHOUT THE WRITTEN PERMISSION OF  
Virtual Polymer Compounds, LLC IS  
PROHIBITED.

UNLESS OTHERWISE SPECIFIED:  
DIMENSIONS ARE IN INCHES  
TOLERANCES:  
FRACTIONAL ±  
ANGULAR: MACH ± BEND ±  
TWO PLACE DECIMAL ±  
THREE PLACE DECIMAL ±  
INTERPRET GEOMETRIC  
TOLERANCING PER:  
MATERIAL  
POLYESTER RESIN  
FINISH  
DO NOT SCALE DRAWING

NAME	DATE
DRAWN LVR	2/11/2021
CHECKED	
ENG APPR.	
MFG APPR.	
Q.A.	

COMMENTS:  
3rd ANGLE PROJECTION

**VPC** 10478 Ridge Rd.,  
Medina NY 14103  
Toll Free: 888-290-9522  
FIBERGLASS Phone: 585-735-9668

TITLE:  
4'6" X 2'-3" X 6'-4" FRP BLDG

Project:  
VPC-B4.5X2.25X6.3

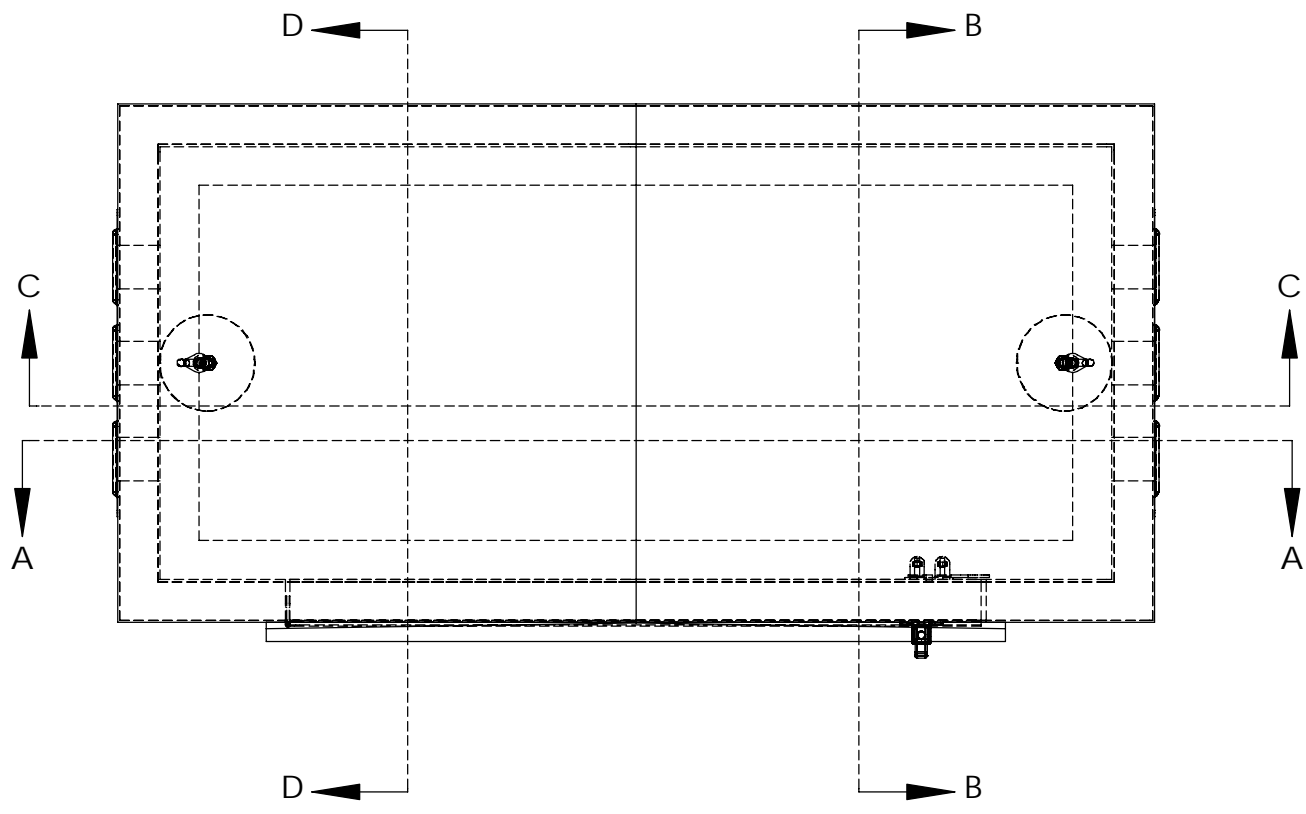
SIZE <b>B</b>	DWG. NO. XXXXX	REV A
------------------	-------------------	----------

SCALE: 1:10 Weight 197.03 SHEET 3 OF 6

8 7 6 5 4 3 2 1

D  
C  
B  
A

D  
C  
B  
A



PLAN VIEW

UNLESS OTHERWISE SPECIFIED:  
 DIMENSIONS ARE IN INCHES  
 TOLERANCES:  
 FRACTIONAL ±  
 ANGULAR: MACH ± BEND ±  
 TWO PLACE DECIMAL ±  
 THREE PLACE DECIMAL ±  
 INTERPRET GEOMETRIC TOLERANCING PER:  
 MATERIAL POLYESTER RESIN FINISH  
 DO NOT SCALE DRAWING

PROPRIETARY AND CONFIDENTIAL  
 THE INFORMATION CONTAINED IN THIS DRAWING IS THE SOLE PROPERTY OF Virtual Polymer Compounds, LLC. ANY REPRODUCTION IN PART OR AS A WHOLE WITHOUT THE WRITTEN PERMISSION OF Virtual Polymer Compounds, LLC IS PROHIBITED.

	NAME	DATE
DRAWN	LVR	2/11/2021
CHECKED		
ENG APPR.		
MFG APPR.		
Q.A.		
COMMENTS:		
3rd ANGLE PROJECTION		

**VPC** 10478 Ridge Rd., Medina NY 14103  
 FIBERGLASS Toll Free: 888-290-9522 Phone: 585-735-9668

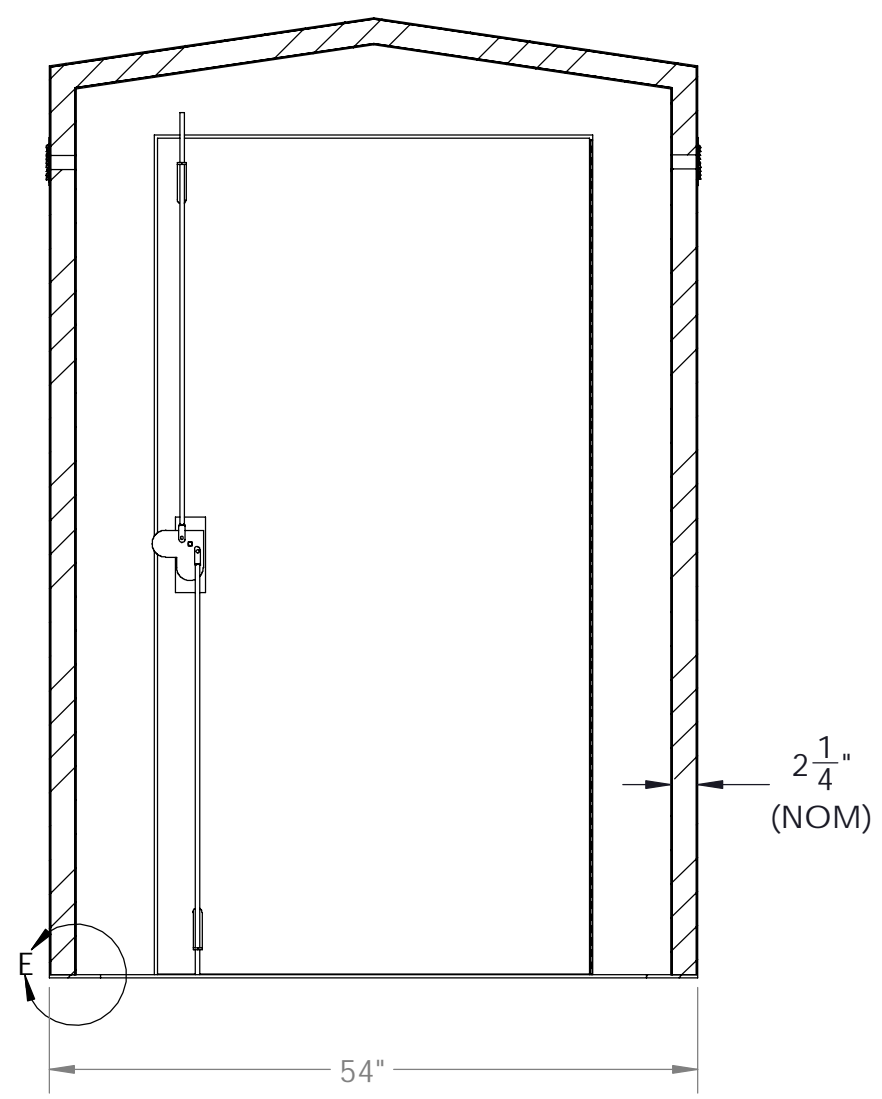
TITLE: 4'6" X 2'-3" X 6'-4" FRP BLDG		
Project: VPC-B4.5X2.25X6.3		
SIZE <b>B</b>	DWG. NO. XXXXX	REV A
SCALE: 1:10	Weight 197.03	SHEET 4 OF 6

8 7 6 5 4 3 2 1

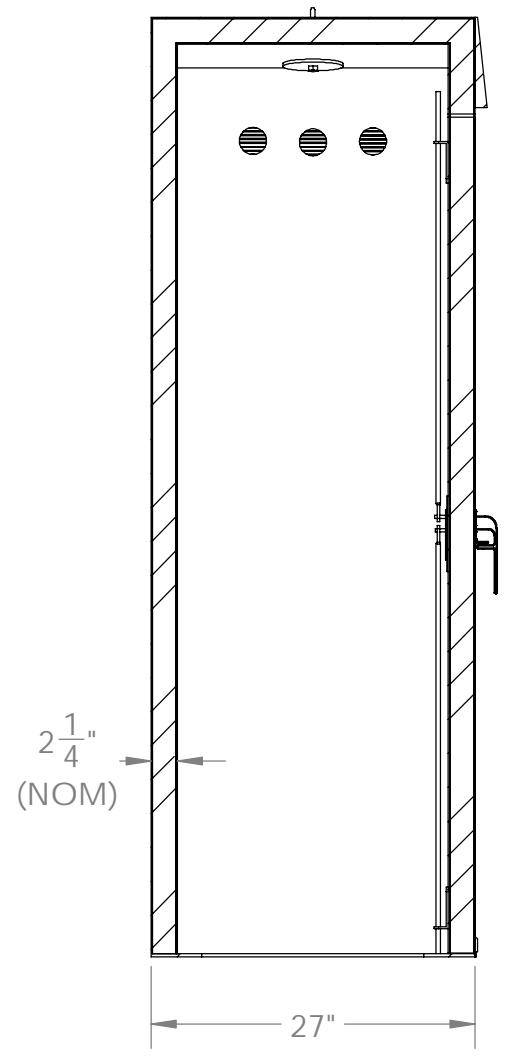
8 7 6 5 4 3 2 1

D  
C  
B  
A

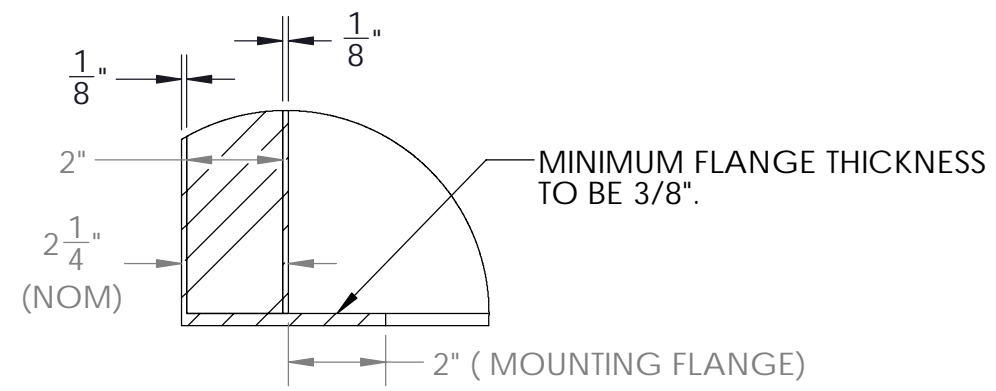
D  
C  
B  
A



SECTION A-A



SECTION B-B



DETAIL E  
SCALE 1 : 4

PROPRIETARY AND CONFIDENTIAL  
THE INFORMATION CONTAINED IN THIS  
DRAWING IS THE SOLE PROPERTY OF  
Virtual Polymer Compounds, LLC. ANY  
REPRODUCTION IN PART OR AS A WHOLE  
WITHOUT THE WRITTEN PERMISSION OF  
Virtual Polymer Compounds, LLC IS  
PROHIBITED.

UNLESS OTHERWISE SPECIFIED:  
DIMENSIONS ARE IN INCHES  
TOLERANCES:  
FRACTIONAL ±  
ANGULAR: MACH ± BEND ±  
TWO PLACE DECIMAL ±  
THREE PLACE DECIMAL ±

INTERPRET GEOMETRIC  
TOLERANCING PER:  
MATERIAL  
POLYESTER RESIN  
FINISH

DO NOT SCALE DRAWING

NAME	DATE
DRAWN LVR	2/11/2021
CHECKED	
ENG APPR.	
MFG APPR.	
Q.A.	

COMMENTS:  
3rd ANGLE PROJECTION

**VPC** 10478 Ridge Rd.,  
Medina NY 14103  
Toll Free: 888-290-9522  
FIBERGLASS Phone: 585-735-9668

TITLE:  
4'6" X 2'-3" X 6'-4" FRP BLDG

Project:  
VPC-B4.5X2.25X6.3

SIZE <b>B</b>	DWG. NO. XXXXX	REV A
------------------	-------------------	----------

SCALE: 1:16 Weight 197.03 SHEET 5 OF 6

8 7 6 5 4 3 2 1

8 7 6 5 4 3 2 1

D

C

B

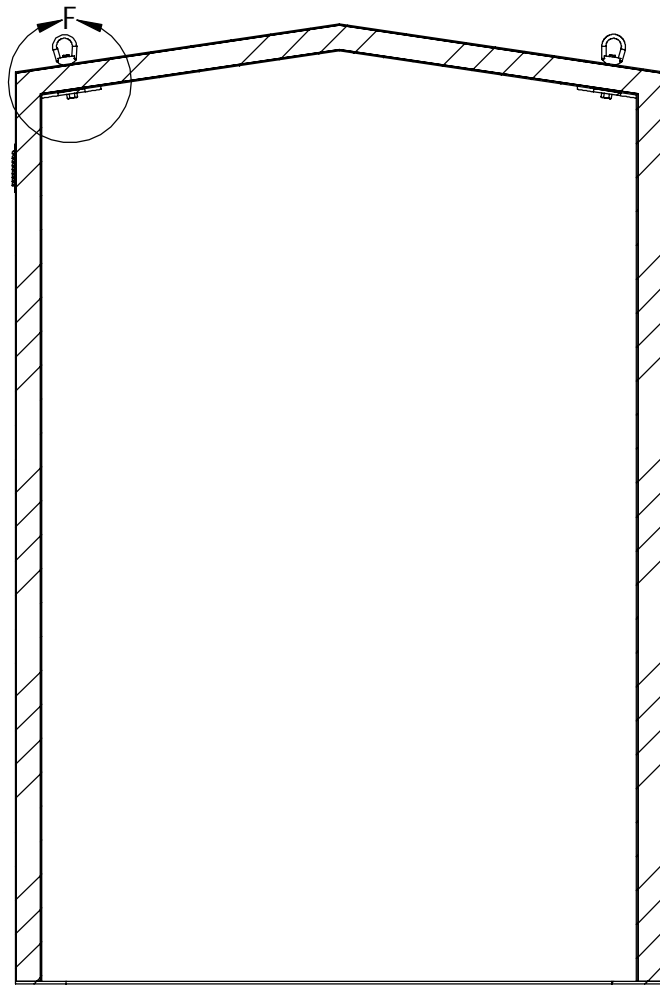
A

D

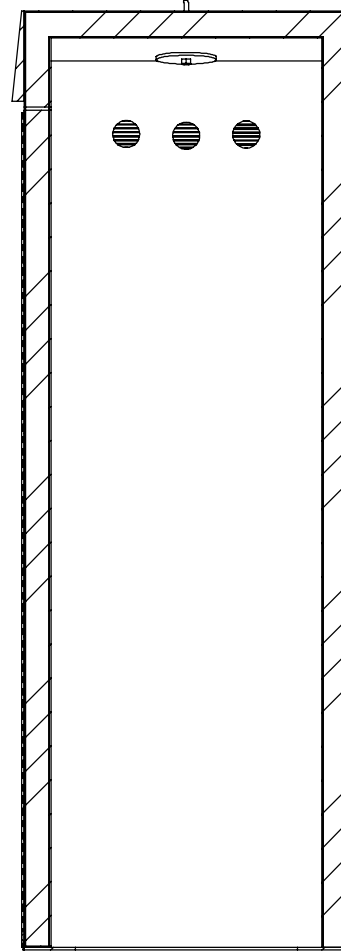
C

B

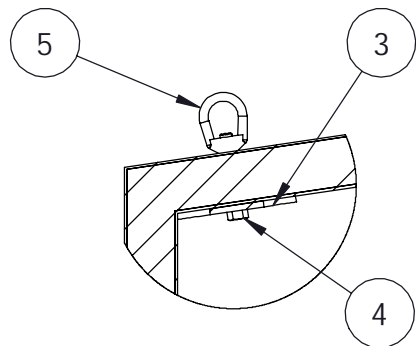
A



SECTION C-C



SECTION D-D




DETAIL F  
SCALE 1 : 8

PROPRIETARY AND CONFIDENTIAL  
THE INFORMATION CONTAINED IN THIS DRAWING IS THE SOLE PROPERTY OF Virtual Polymer Compounds, LLC. ANY REPRODUCTION IN PART OR AS A WHOLE WITHOUT THE WRITTEN PERMISSION OF Virtual Polymer Compounds, LLC IS PROHIBITED.

UNLESS OTHERWISE SPECIFIED:  
DIMENSIONS ARE IN INCHES  
TOLERANCES:  
FRACTIONAL ±  
ANGULAR: MACH ± BEND ±  
TWO PLACE DECIMAL ±  
THREE PLACE DECIMAL ±  
INTERPRET GEOMETRIC TOLERANCING PER:  
MATERIAL  
POLYESTER RESIN  
FINISH  
DO NOT SCALE DRAWING

NAME	DATE
DRAWN LVR	2/11/2021
CHECKED	
ENG APPR.	
MFG APPR.	
Q.A.	

COMMENTS:  
3rd ANGLE PROJECTION

		10478 Ridge Rd., Medina NY 14103 Toll Free: 888-290-9522 Phone: 585-735-9668	
TITLE: 4'6" X 2'-3" X 6'-4" FRP BLDG			
Project: VPC-B4.5X2.25X6.3			
SIZE <b>B</b>	DWG. NO. XXXXX	REV A	
SCALE: 1:16	Weight 197.03	SHEET 6 OF 6	

8 7 6 5 4 3 2 1